

DACIA

DACIA JOGGER



2nd July 2024

1

EXPLORE YOUR JOGGER

DISCOVER



2

YOUR JOGGER FOR DAILY USE

DISCOVER



3

EQUIPMENT AND TECHNICAL CHARACTERISTICS

DISCOVER



4

THE DACIA SPIRIT: PURE AND SIMPLE

DISCOVER



**BIGGER,
COOLER,
JOGGER**



THE FAMILY CAR REINVENTED

Featuring the length of an estate, the spaciousness of an MPV and the robust style of an SUV, Dacia Jogger surprises by combining the best of these categories in a 7-seater family car. Versatile, elegant and affordable, Jogger fully embodies the Dacia spirit.



DESIGNED FOR ADVENTURE

Elevated ground clearance, wheel arch protection mouldings, and modular roof bars - Dacia Jogger boasts a robust design that adapts to all roads, designed for an action-packed family life.

Experience the adventure to the fullest with the EXTREME trim level, with an even more pronounced outdoor spirit: Copper mirrors, distinctive black alloy wheels with copper centre cap detailing, and a shark fin antenna coated in Glossy Black. A unique style signed by distinctive elements with topographic pattern to enhance Jogger's spirit of adventure.



In keeping with the times, the new model's Y-shaped brand light confirms its kinship with the new Dacia generation. The LED dipped headlights provide more intense lighting at night. At the rear, the vertical positioning of the lights broadens the tailgate opening, optimizing boot access.



Alloy wheels and topographical pattern stickers



Copper door mirror shells



Copper Dacia logo on the tailgate



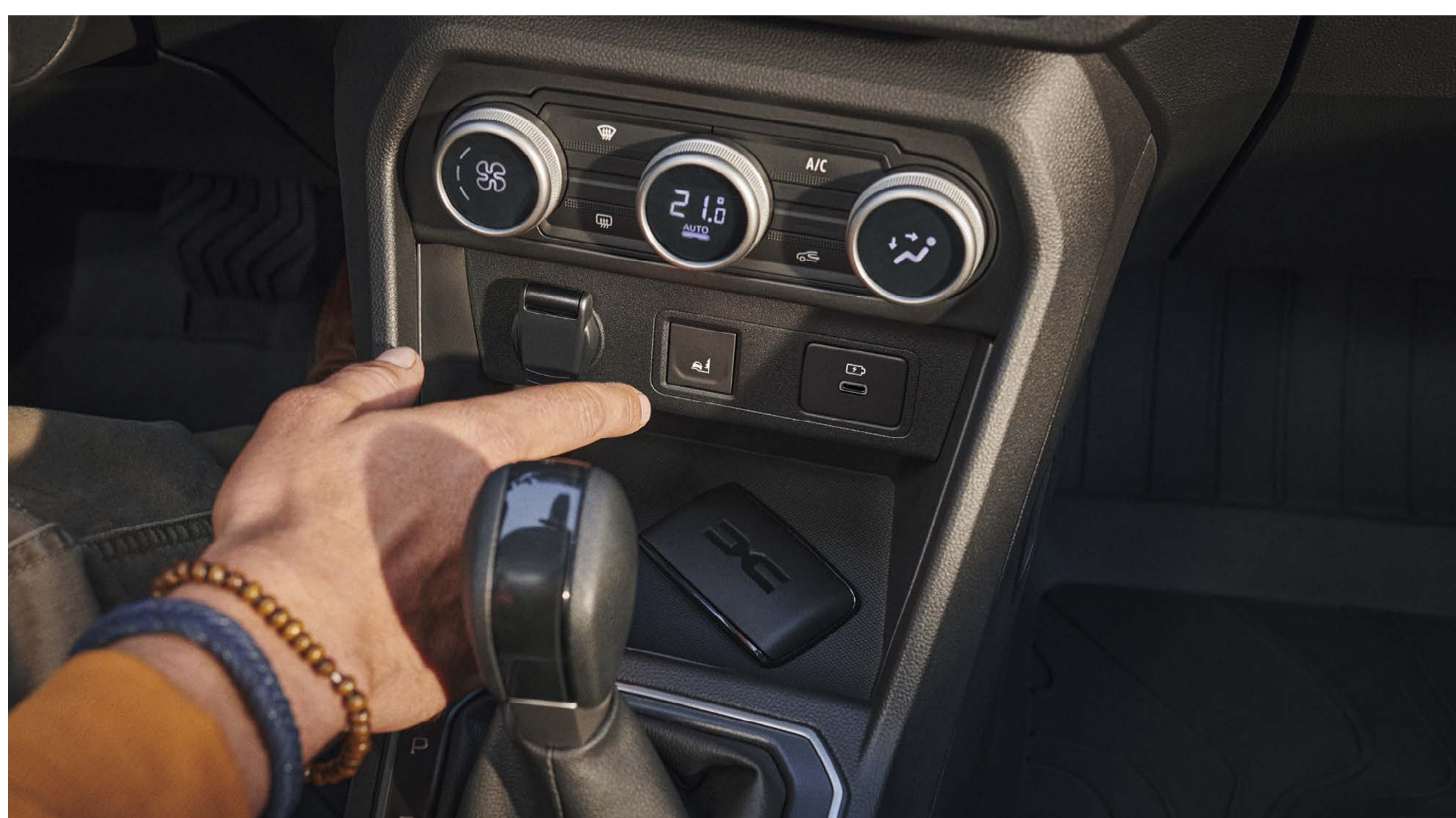
MUCH MORE THAN FUNCTIONAL

Dacia Jogger's interior design is as functional as it is attractive. A textile strip running across the dashboard* provides a clean, uncluttered look. The lower area provides easy access to the air conditioning and driver assistance system controls. The rear boasts impressive versatility with room for the whole family.

For a 100% elegant and dynamic style, opt for the new Extreme trim level. Featuring washable MicroCloud fabric with copper-topstitching. The Extreme also features copper door mirrors, side decals and rubber floor mats featuring a topographical design.

To extend the experience, go off the beaten track thanks to the Extreme's Extended Grip Function which improves driveability.

* Depending on version.



Extended Grip Button

TAKE ADVANTAGE OF JOGGER IN HYBRID VERSION

Once again, Dacia is in tune with the times and simplifies your daily life with Jogger available with a hybrid powertrain. A first for Dacia. The result? A family hybrid with 7 seats at an affordable price.



On board, the atmosphere and technologies make your journey effortless: automatic gearbox for easy and smooth driving, 7" colour driver display, high central console with armrest and electric parking brake. With Jogger HYBRID 140, enjoy innovative equipment and optimized comfort.



Multimode gearbox



7" Colour cluster with driving mode information

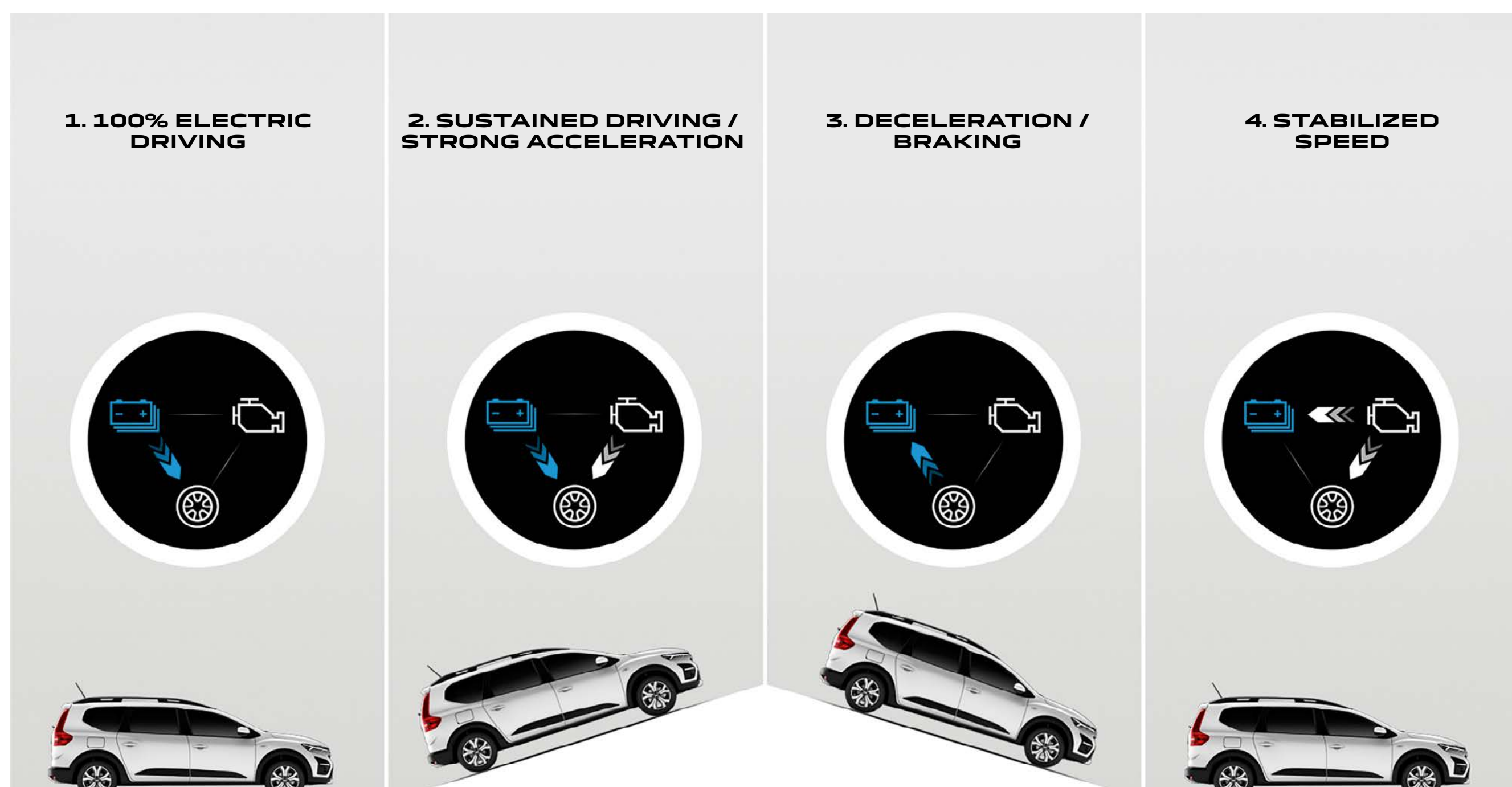


IN HYBRID, DISCOVER MORE FREEDOM

Forget about the connections while enjoying the benefits of electric thanks to the hybrid that recharges while driving. The technology of Dacia Jogger HYBRID 140 combines the dynamism of a petrol engine with that of an electric motor. Drive in urban areas in electric mode up to 80% of the time and achieve up to 40% fuel savings*.

In addition to reduced CO₂ emissions, you will also benefit from lower usage and maintenance costs. The multimode gearbox offers intelligent management of the two engines for powerful, smooth and quieter driving. Hybrid is simple with Dacia.

* Depending on driving conditions.



1. 100% electric driving: only the electric motor drives the wheels.
2. Sustained driving / strong acceleration: the thermal and electric motors operate simultaneously.
3. Deceleration / braking: the electric motor recharges the battery.
4. Stabilized speed: the thermal engine operates at its optimal speed to drive the wheels and recharge the battery.

[BUILD YOURS](#)

[MENU](#)

ENJOY ENHANCED TRAVEL

More space and more versatility thanks to a unique approach to spaciousness, with 23 liters of storage areas for everyday use and multiple configurations to meet all your needs. Three multimedia equipment packages and latest-generation driver assistance system.



COMFORT MULTIPLIED BY 7

Dacia Jogger embraces the whole family: it takes everyone's needs into account, offering the same level of comfort in all rows. The sculpted seats – adjustable at the front – promise fatigue-free travel for all seven occupants. Dacia Jogger also stands apart through well thought-out details and spaciousness.



In the second row, everything is designed to evolve with your family: sliding aeroplane shelves* with cup holders and ultra-practical Isofix attachments for child seats. The third row offers easy accessibility, with two individual seats with armrests providing uncompromising accommodation for two adults with generous legroom. Storage spaces are distributed throughout the passenger compartment for the benefit of all passengers. Dacia Jogger adds a new dimension to your on-board experience.

* Depending on version.



Rear sliding and folding aeroplane shelves

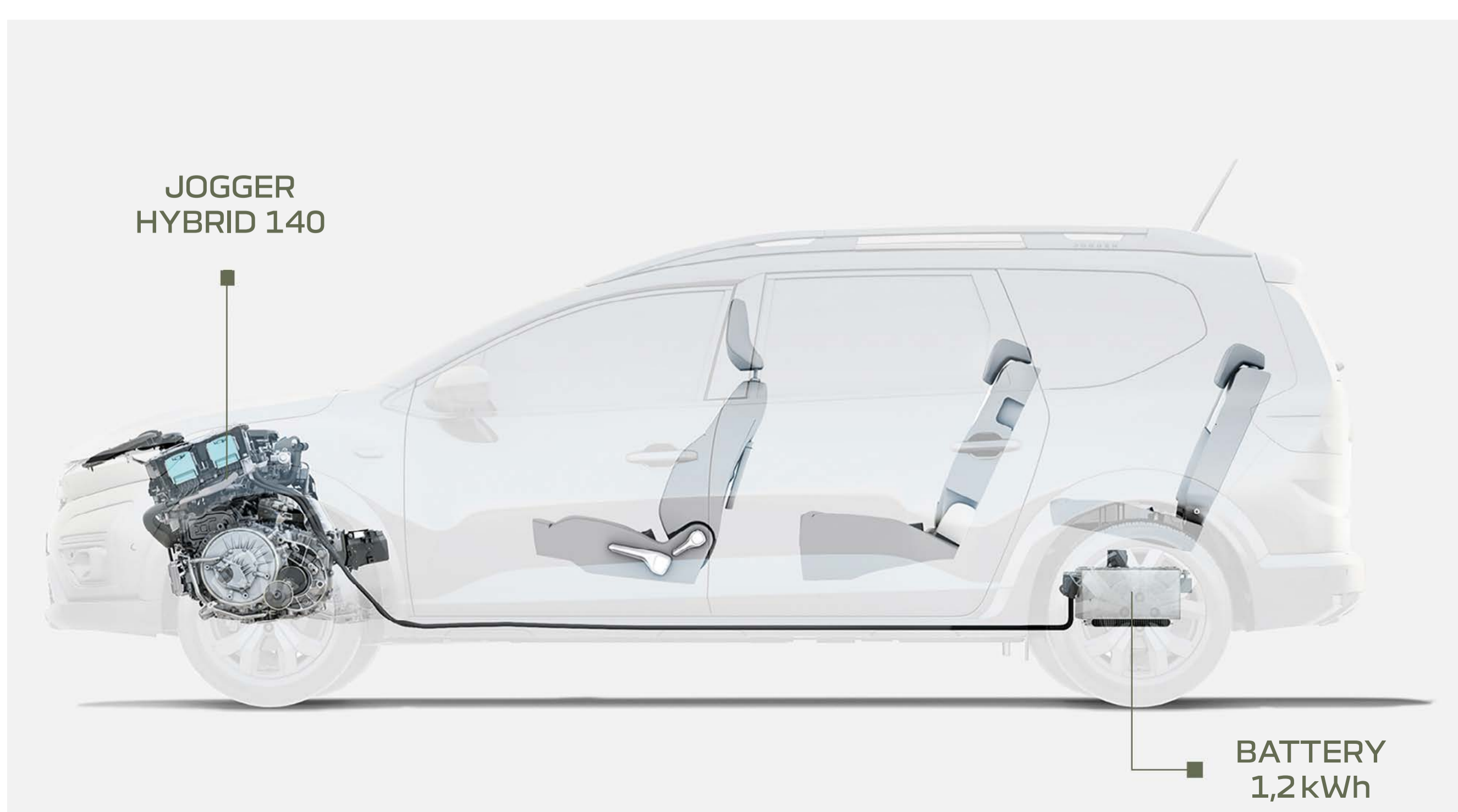
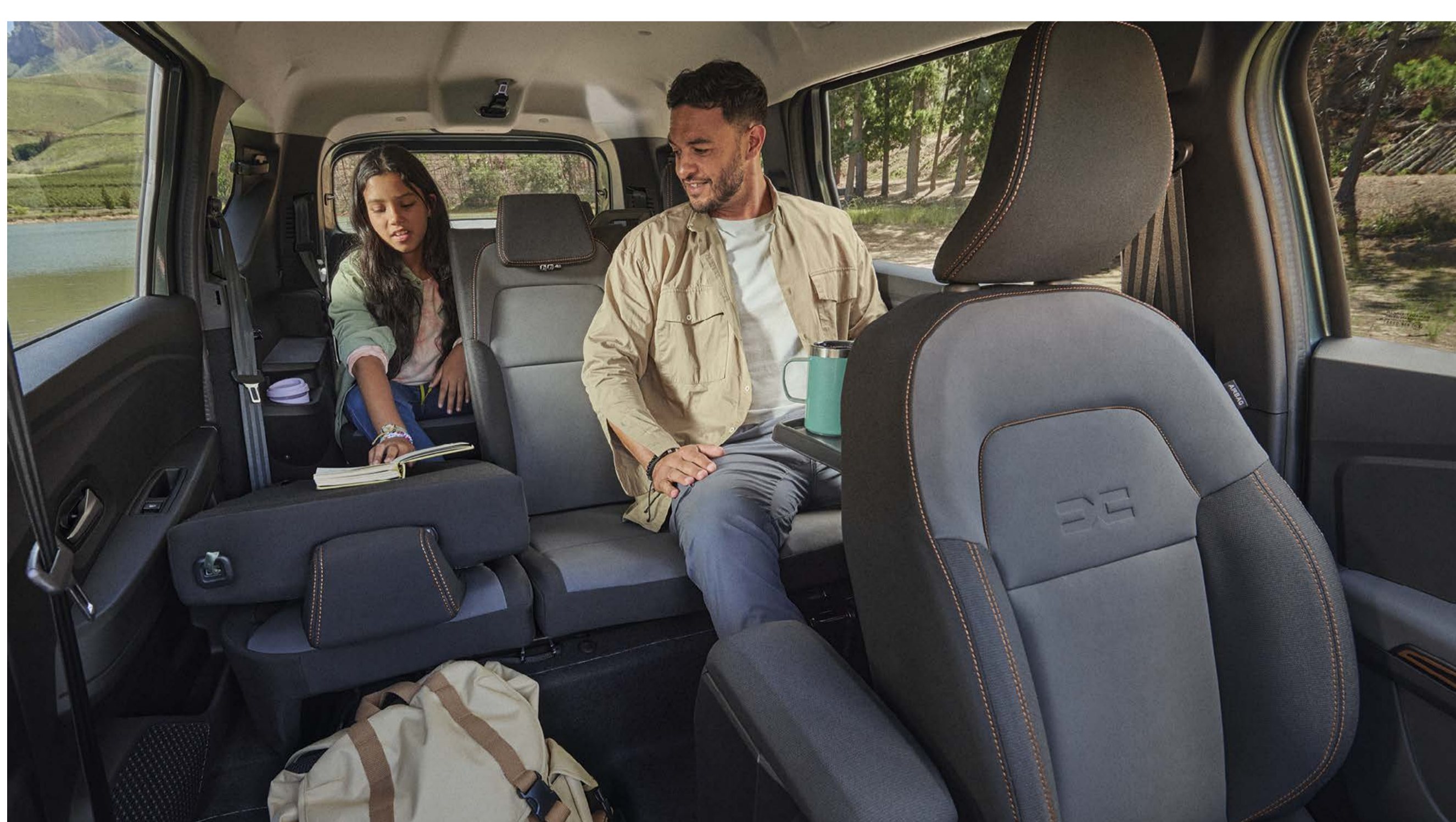


RECORD MODULARITY

Dacia Jogger is a versatile car that offers unique volume and versatility. The third-row rear seats are removable, the 3-seater bench is foldable 1/3-2/3 in the second row, and multiple configurations are possible offering 2, 3, 4, 5, 6 or 7 seats according to your needs. A true Swiss Army knife!

When it comes to luggage space, enjoy a volume of up to 2,085 liters* and a loading height that can accommodate everything you take with you. And in its hybrid version, there is no compromise on space, thanks to the clever placement of the battery under the floor.

Trust Jogger to simplify your adventures.



As spacious and with same options of modularity as the other versions

ESCAPE INTO THE NIGHT

Get closer to nature with the Sleep pack, which is part of our Dacia InNature offer. Consisting of a 3-in-1 box, this pack includes a fold-out bed that is easy to install. In less than two minutes, turn your Dacia Jogger into a bedroom for two.



Get a good night's sleep on a 190x130cm mattress. Blackout blinds provide privacy as well as darkness. Whether the bed is folded out or not, the 220-litre storage compartment remains unaffected. Having a picnic is easy thanks to the removable rear shelf. Do you need a more spacious base camp? An external tent can be connected to Jogger when the trunk is open. Discover a new form of adventure. The Sleep pack is compatible with all versions of Jogger.



Opaque blackout blinds



Smart tent that can be connected to the Jogger



SELECT YOUR MULTIMEDIA PREFERENCES

Dacia Jogger has three comprehensive multimedia offers, so it's up to you to choose what you want: the clever new Media Control, controlled from your smartphone and integrated into the design of the dashboard, allows you to control the radio, music, Bluetooth® connection, USB and telephony. Media Display adds voice recognition to its 8" touchscreen. Media Nav supplements its features with built-in navigation.

The system of your choice provides the essentials and more, right up to AndroidAuto™ and Apple CarPlay™ compatibility. The latter is available wired on Media Display and with Wi-Fi on Media Nav. You can also enjoy enhanced sound with six speakers located throughout the cabin, available on Media Nav.

Android Auto™ is a Google Inc. brand.
Apple CarPlay™ is an Apple Inc. brand.



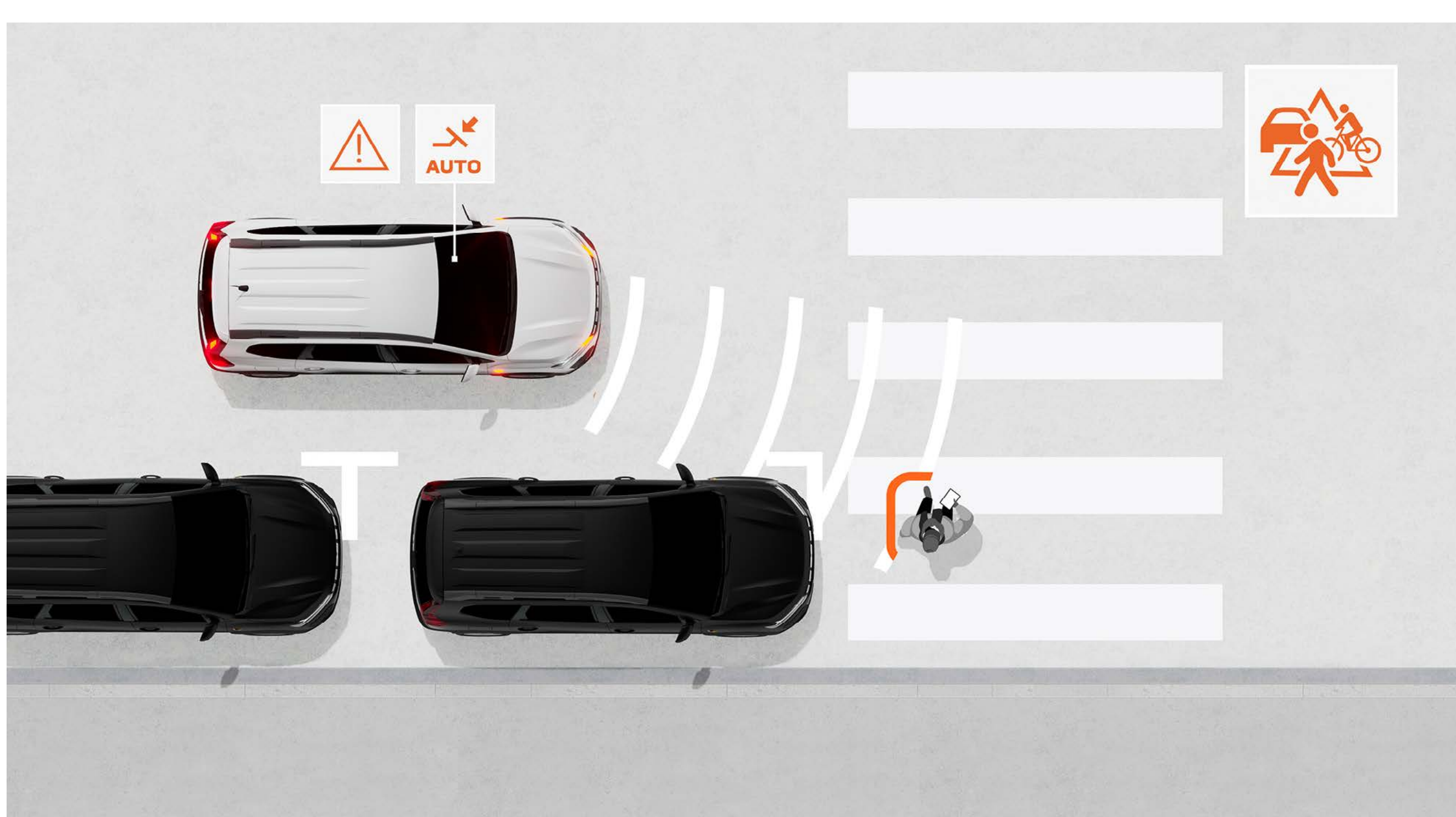
New Media Control



Media Display

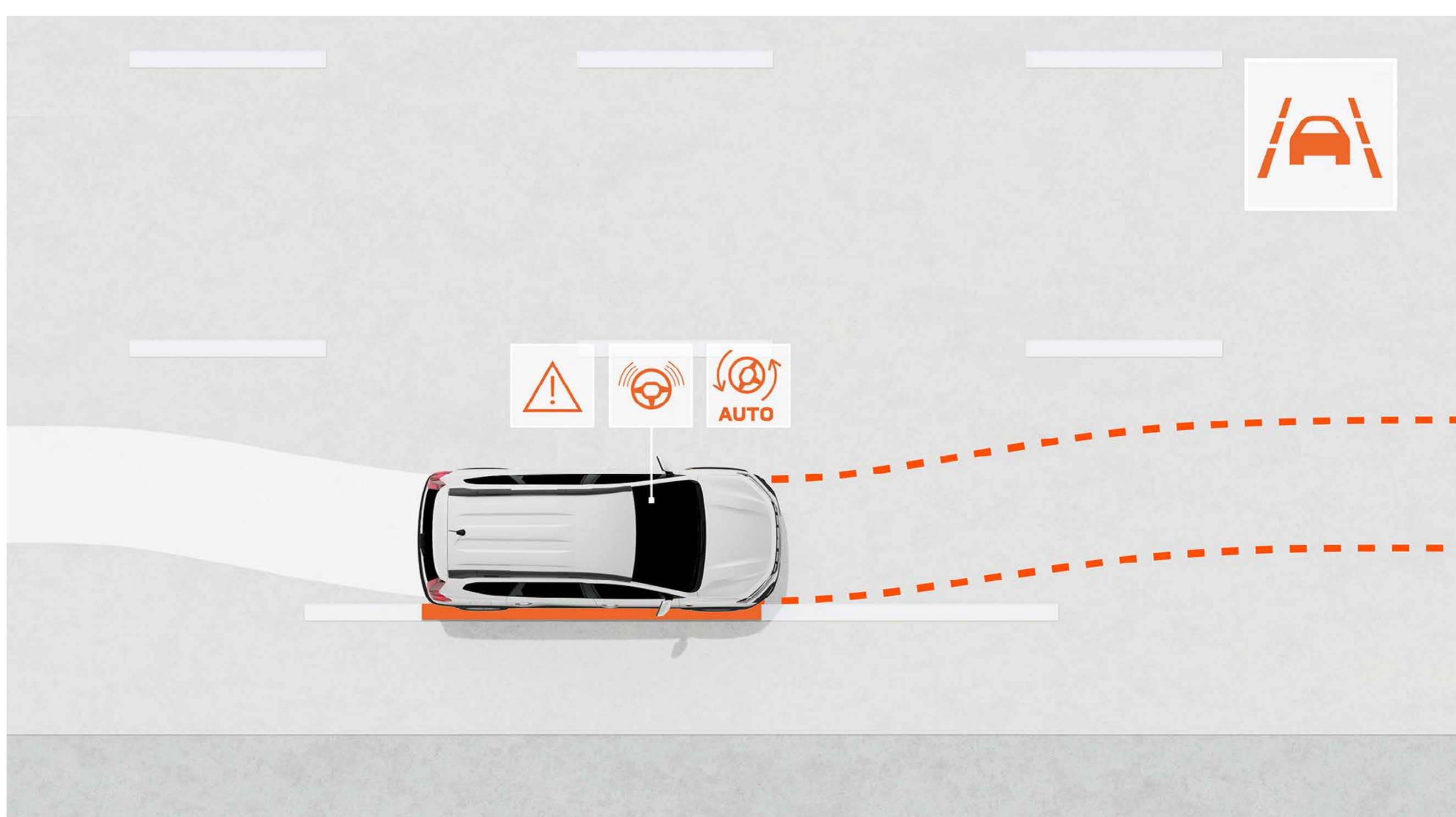
DRIVE IN COMPLETE SAFETY

At Dacia, safety has always been at the heart of our concerns. Built on the latest platform designed for our vehicles, Dacia Jogger has a reinforced body structure and new-generation assistance systems that make driving easier. Some features can be deactivated using the "My Safety" button. Drive with complete peace of mind.



AUTOMATIC EMERGENCY BRAKING WITH PEDESTRIAN/CYCLIST DETECTION

This system prevents the risk of frontal collisions involving other vehicles, pedestrians or cyclists straight ahead and at junctions. It alerts the driver and can automatically brake the vehicle if necessary.



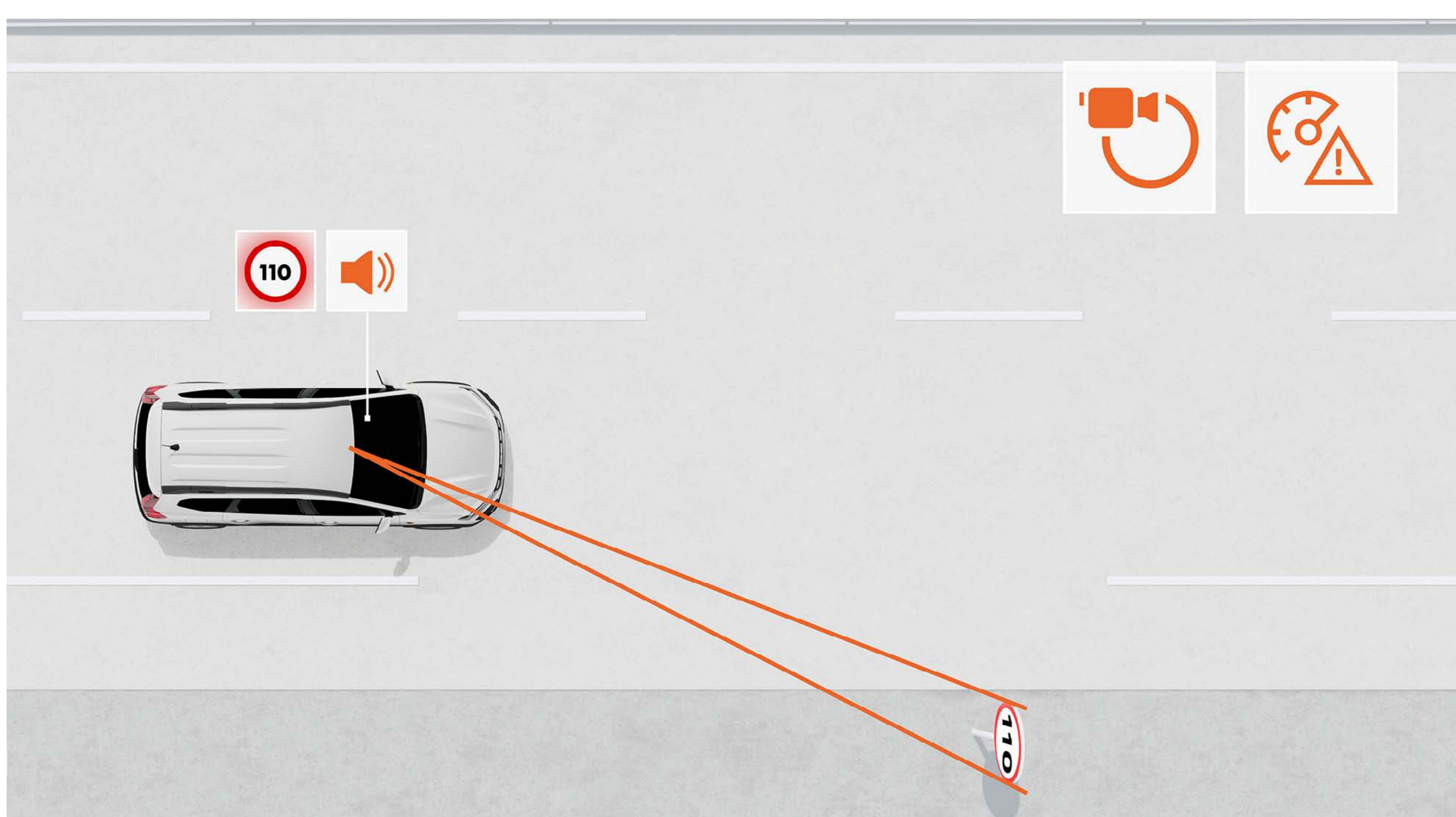
LANE KEEPING ASSIST

This assistance system (which can be disabled) monitors the vehicle's path in its lane and corrects it if necessary by automatically steering it.



DRIVER FATIGUE DETECTION SYSTEM

This helps warn the driver if fatigue is detected by analysing several parameters – including movements of the steering wheel – to encourage them to take a break.



TRAFFIC SIGN RECOGNITION WITH SPEED ALERT

This system provides a reliable real-time indication of the maximum speed on the road and warns the driver if they exceed the speed limit with visual and audible alerts (which can be disabled).

[BUILD YOURS](#)

[MENU](#)

DISCOVER THE EQUIPMENT

COLOUR



AMBIANCES



ACCESSORIES



ENGINES



EQUIPMENT AND OPTIONS



PRICING



SERVICING



DIMENSIONS



COLOUR



TERRACOTTA⁽¹⁾



CEDAR GREEN⁽¹⁾



GLACIER WHITE⁽²⁾



PEARL BLACK⁽¹⁾



SHADOW GREY⁽¹⁾



DUSTY KHAKE⁽²⁾



URBAN GREY⁽²⁾

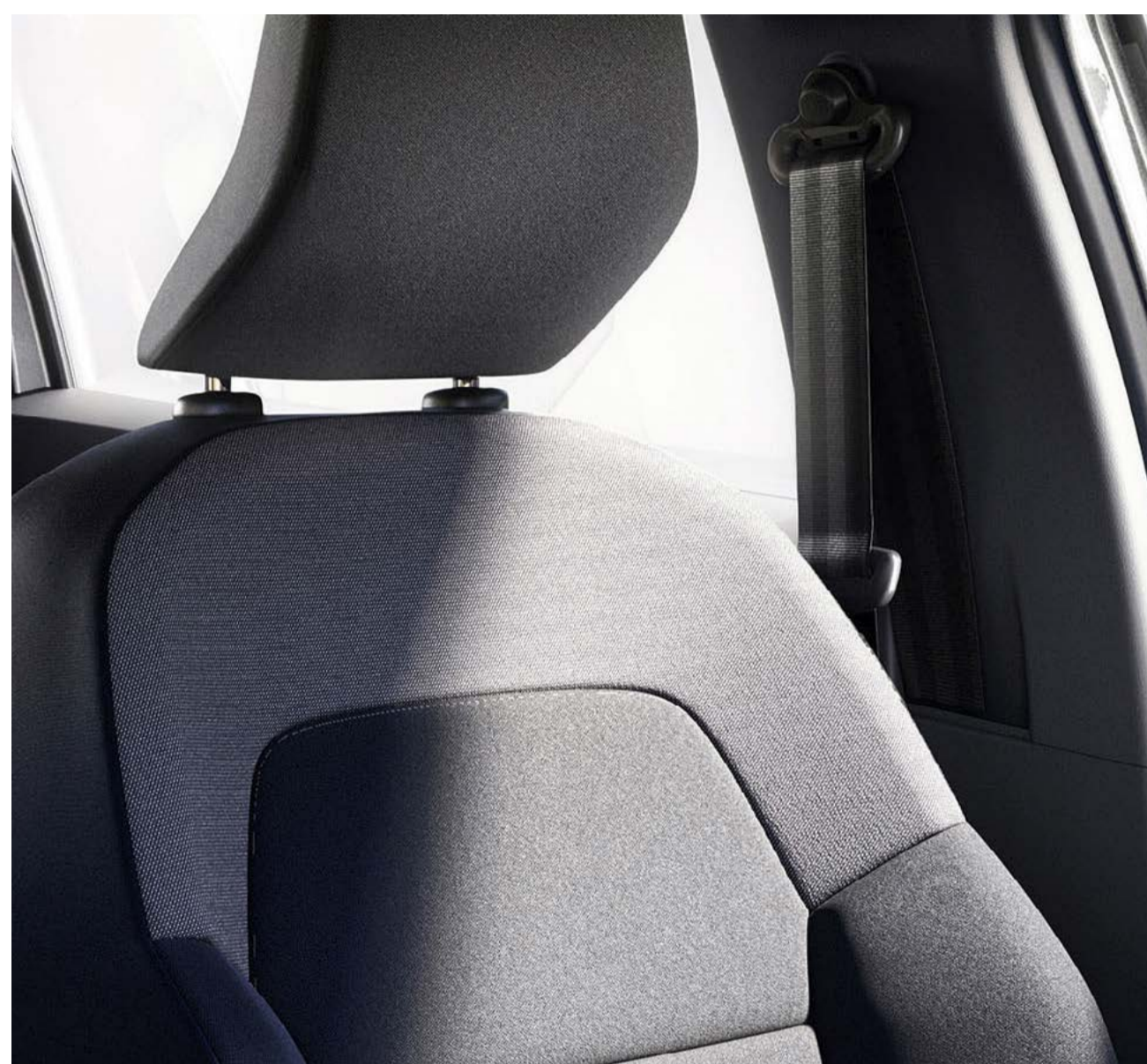
(1) Metallic paint. (2) Opaque paint.

COLOUR AVAILABILITY		Essential	Expression	Extreme
SOLID PAINT				
369	Glacier White	<input type="radio"/>	<input type="radio"/>	<input type="radio"/>
METALLIC PAINT				
676	Pearl Black	<input type="radio"/>	<input type="radio"/>	<input type="radio"/>
KQG	Shadow Grey	<input type="radio"/>	<input type="radio"/>	<input type="radio"/>
CNZ	Terracotta	-	<input type="radio"/>	<input type="radio"/>
DQK	Cedar Green	-	<input type="radio"/>	<input type="radio"/>
SPECIAL PAINT (PRICED AS METALLIC)				
KPW	Urban Grey	-	<input type="radio"/>	<input type="radio"/>
KQM	Dusty Khaki	-	<input type="radio"/>	<input type="radio"/>

○ = Optional. - = Not available.

AMBIANCES

ESSENTIAL



MAIN EQUIPMENT ESSENTIAL

EXTERNAL APPEARANCE

- Black grille with Dacia logo and white decorative inserts
- Dacia signature LED daytime running lights and automatic headlight activation
- Black exterior door handles
- Black door mirrors
- Longitudinal roof bars
- Body tone front/rear bumpers
- 16" Miliana wheel trims
- Black front and rear skid plates

INTERIOR APPEARANCE

- Fog Grey airvent inserts with white sliders
- 2 independently folding and removable 3rd row seats
- 1/3-2/3 splitfold rear seat, seat surface and backrest
- Essential Upholstery
- 3.5" digital display within instrument cluster

ACTIVE AND PASSIVE SAFETY

- "My Safety" button to manage driver assistance systems
- Anti-locking braking system (ABS) + Emergency Brake Assist (EBA)
- Automatic Emergency Braking System (AEBS) with pedestrian/cyclist detection
- Electronic Stability Control (ESC) with Hill Start Assist (HSA)
- Emergency call (E-call)
- Event (accident) data logger
- Alcohol Immobiliser predisposition
- Traffic sign recognition with speed alert/Intelligent Speed Assist (ISA)
- Lane Departure Warning (LDW)
- Lane Keep Assist (LKA)
- Driver attention alert

- Front / rear «Rescue Code®» QR Code
- Driver's front airbag / passenger airbag (passenger airbag can be deactivated)
- Side chest-level and curtain head airbags (front + rear)
- Front and rear side seat belts with pretensioner and load limiter
- Rear parking sensors

DRIVING AND CONTROLS

- Tyre inflation kit
- Electric power steering
- Stop & Start, ECO mode
- Rain and light sensors
- Speed limiter / cruise control

COMFORT

- Manual heating and air conditioning system
- Remote central locking of doors and automatic locking when driving
- Front electric driver and passenger windows
- Rear 12 V socket in boot
- Height and depth- adjustable steering wheel
- Height adjustable driver seat

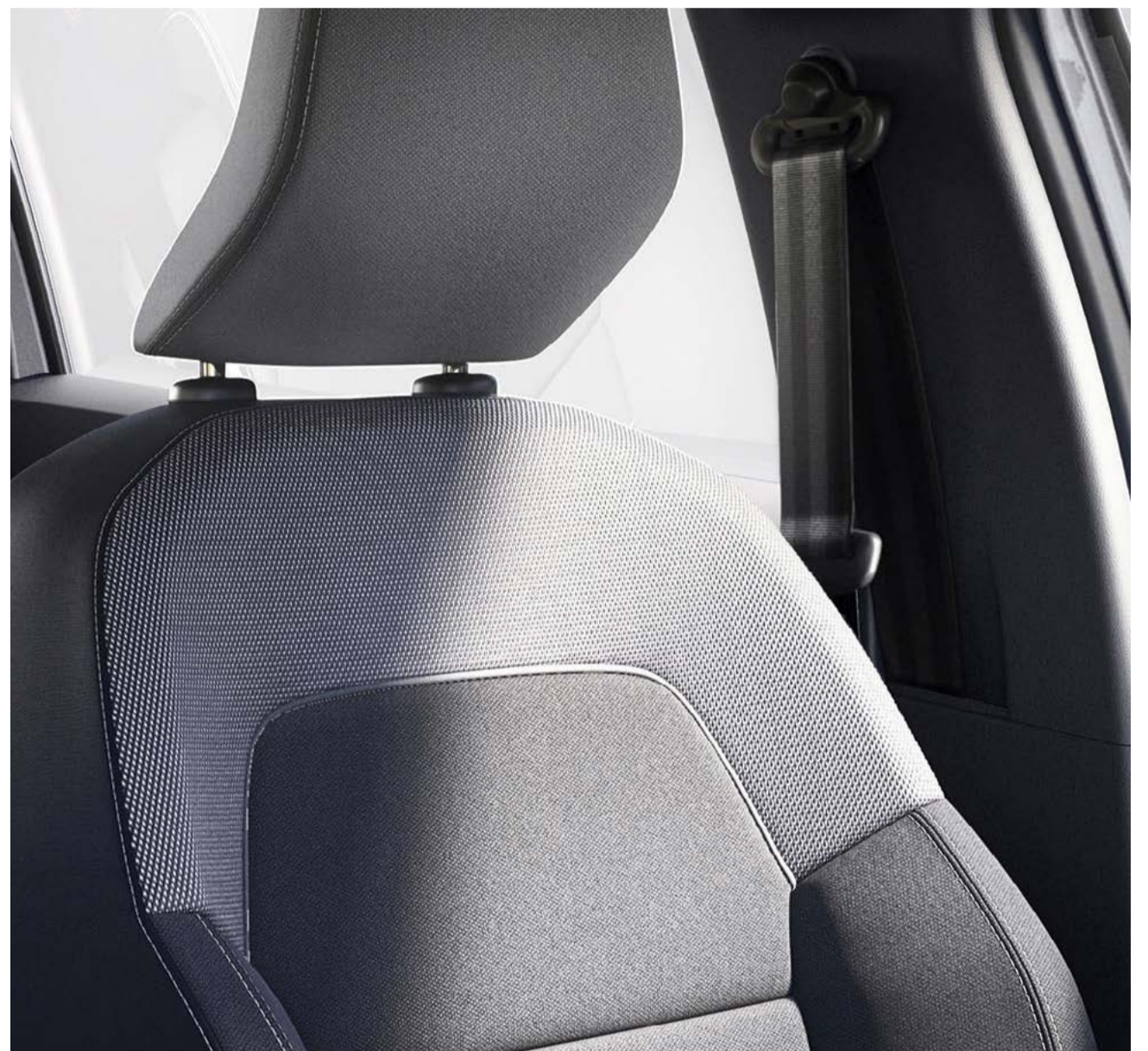
AUDIO

- New Media Control: DAB radio with steering wheel controls, 1 USB-C socket, 2 speakers, Bluetooth® connectivity system, fixed smartphone holder on the dashboard and Dacia Media Control smartphone app

OPTION

- Spare wheel
- Paint colours available in Glacier White (Solid), Pearl Black (Metallic), and Shadow Grey (Metallic)

EXPRESSION



MAIN EQUIPMENT EXPRESSION = ESSENTIAL +

EXTERNAL APPEARANCE

- Body-coloured exterior door handles
- Body-coloured door mirrors
- Modular roof bars
- 16" Atara Dark Flexwheels
- Megalith Grey front and rear skid plates
- Specific decals on the front doors
- Black side protection stickers

INTERIOR APPEARANCE

- White air vent centre
- Steel Grey door handles
- Specific Expression upholstery
- Fabric deco parts on dashboard and front door armrests
- Removable luggage space cover
- High central console with storage compartment and 1 USB-C socket (rear)

DRIVING AND CONTROLS

- Keyless entry
- Automatic air conditioning
- Automatic windscreen wipers
- Electric parking brake
- Blind spot warning
- Front & rear parking sensors with reversing camera

VISIBILITY

- Front fog lights
- Electric door mirrors

COMFORT

- Height- and depth-adjustable soft feel steering wheel
- Electric rear windows

MULTIMEDIA & AUDIO

- Media Display: multimedia system with 8" touchscreen, DAB digital radio, smartphone replication via USB cable, Bluetooth® connection, satellite controls on steering wheel, 4 speakers, 1 USB-C socket and 1 USB-A socket

OPTIONS

- Metallic paint
- Spare wheel (Not available on HYBRID 140 versions)

EXTREME



MAIN EQUIPMENT

EXTREME = EXPRESSION +

EXTERNAL APPEARANCE

- Specific outdoor design with door protections and side stickers with topographic patterns
- Copper Decoration: exterior door mirrors, Jogger logo on the roof bars, decorative front fog light surround
- Copper exterior door mirrors
- Copper Dacia logo on tailgate
- 16" Mahalia alloy wheels with copper Dacia logo
- Shark fin antenna

INTERIOR APPEARANCE

- EXTREME specific upholstery textile TEP MicroCloud washable with Copper topstitching and embossed with the Dacia emblem
- Copper decorative moulding on the door panels and copper inserts on air vents
- Textile TEP MicroCloud washable on the dashboard and front door armrests
- Front + rear rubber mats (including third row) and door sills with topographic patterns
- Steel Grey interior door handles
- Flight trays for 2nd row passengers

DRIVING AND CONTROLS

- Extended Grip

COMFORT

- Heated front seats

MULTIMEDIA & AUDIO

- Removable phone holder
- Media Nav: 8" touchscreen with integrated navigation, Western Europe or Eastern Europe maps + free updates for 3 years (Twice a year), DAB radio, smartphone replication with Apple CarPlay™ and Android Auto™ replication, Bluetooth® & USB connection 6 speakers, 1 USB-C and 1 USB-A socket

OPTIONS

- Spare wheel (Not available on HYBRID 140 versions)
- Metallic paint

ACCESSORY PACKS

STYLE PACK (ESSENTIAL & EXPRESSION)

£375 inc. fitting



Roof spoiler



Shark fin aerial



Illuminated door sills

STYLE PACK (EXTREME)

£200 inc. fitting



Roof spoiler



Boot sill

SIDE STEP PACK

£559 inc. fitting



Side steps

PROTECTION PACK

£131 inc. fitting



Boot mat



Boot sill

ROOF BOX PACK



400L roof box

£299

480L roof box

£379

DASH CAM PACK

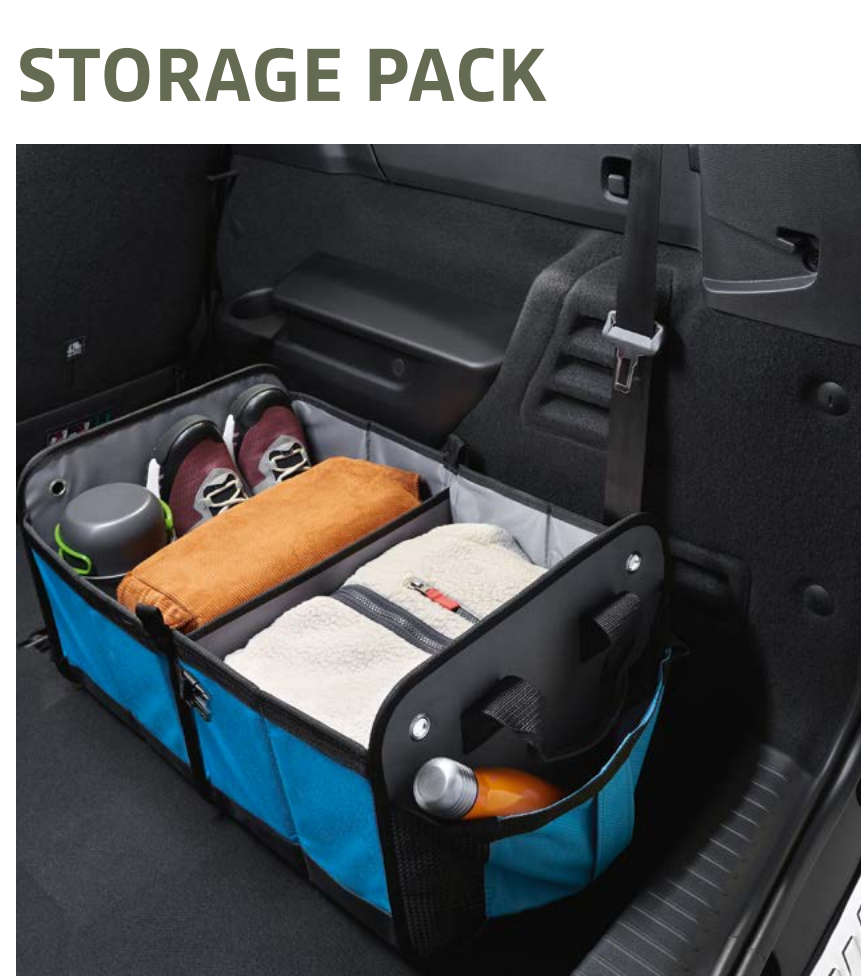
£329 inc. fitting



Front and rear dashcam

STORAGE PACK

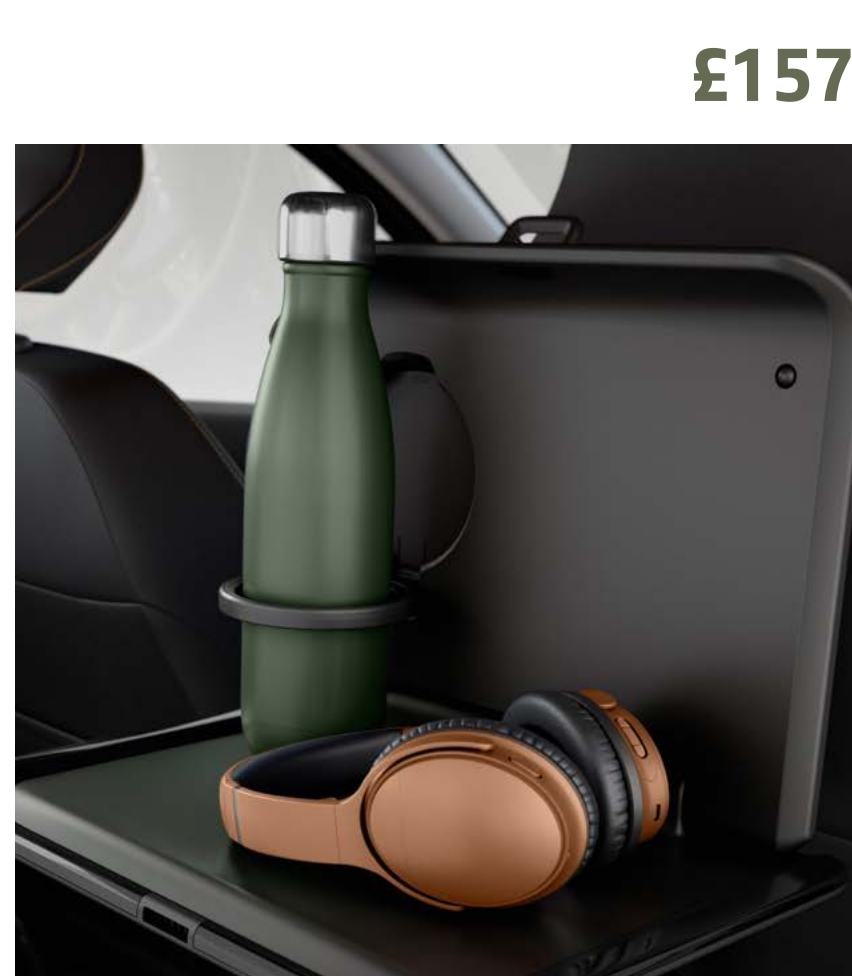
£157



Boot storage box



Magnetic phone holder



Rear tray table & fixings

Storage pack + available with 2 tray tables & fixings £259

CYCLE PACK

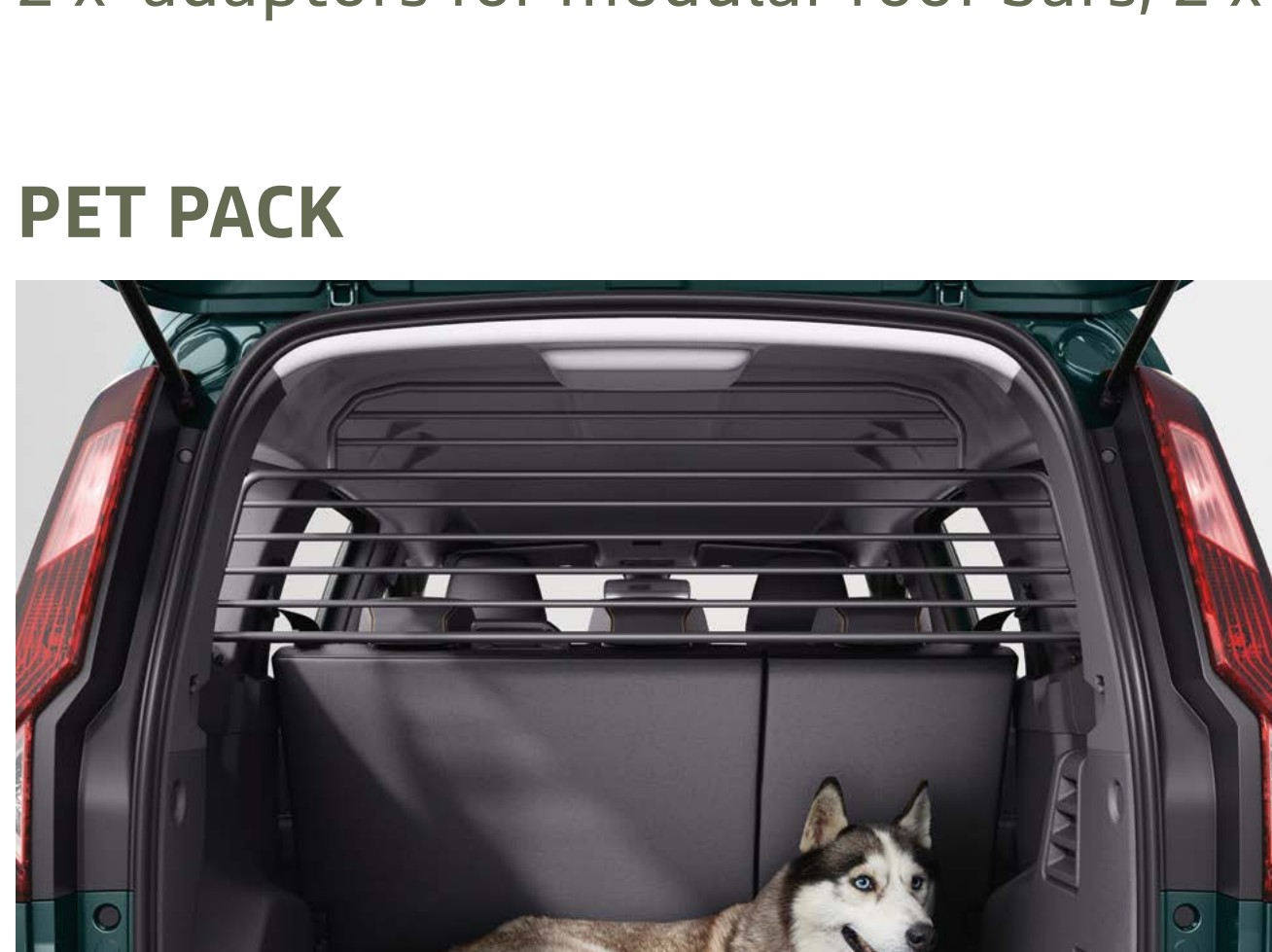
£320



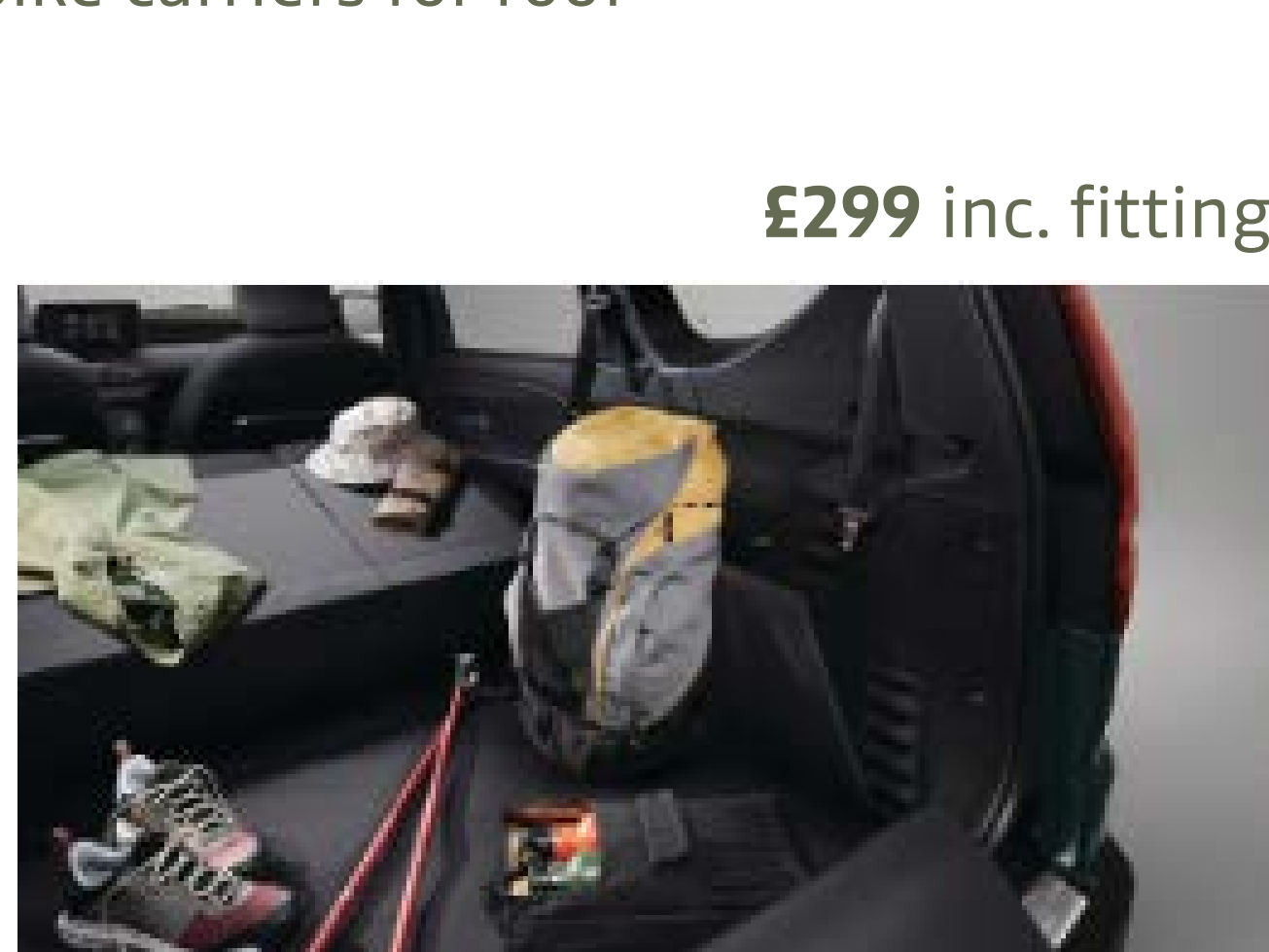
2 x adaptors for modular roof bars, 2 x bike carriers for roof

PET PACK

£299 inc. fitting



Separation grid



Modular boot liner

TOW BAR PACK



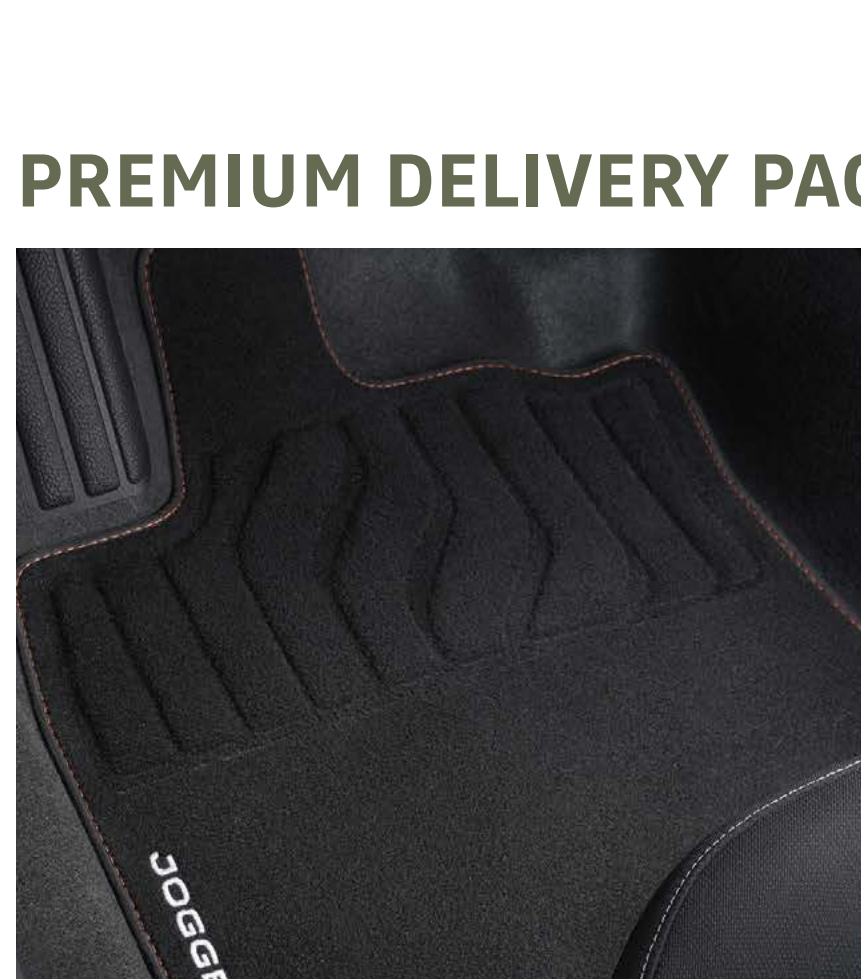
Swan neck towbar 13 pin

£579 inc. fitting

Removable towbar 13 pin

£646 inc. fitting

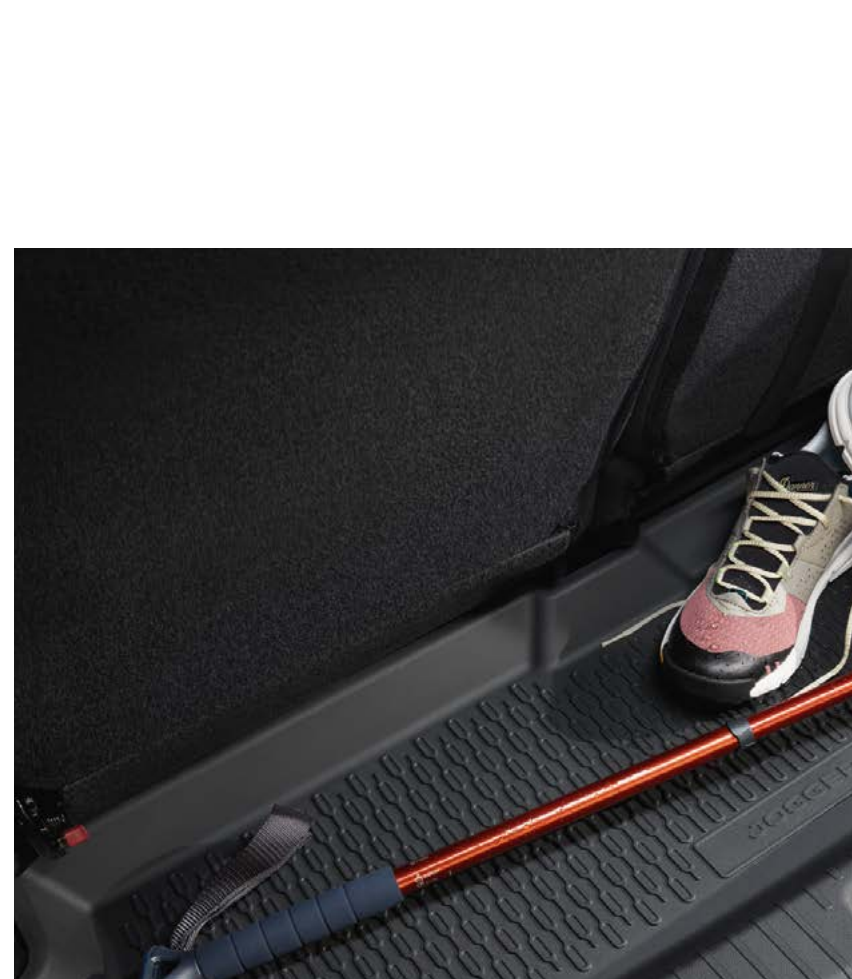
PREMIUM DELIVERY PACKS



Premium mats



Safety kit



Rubber boot mat

PREMIUM DELIVERY PACK

£95

Premium mats

Safety kit

PREMIUM DELIVERY PACK+

£160

Premium mats

Safety kit

Rubber boot mat

All accessories purchased prior to vehicle registration come with a 3 year manufacturers warranty
Accessories are fitted post production and may have an impact on WLTP fuel (actual) consumption and CO₂ figures

[DOWNLOAD ACCESSORIES BROCHURE](#)

IN NATURE ACCESSORY PACKS

SLEEP PACK +

£1,815



Blackout blinds, Seat storage bag, Sleep pack frame & mattress

SLEEP PACK ULTIMATE

£2,165



Blackout blinds, Seat storage bag, Tailgate tent, Sleep pack frame & mattress

PRIVACY PACK

£249



Blackout blinds, Seat storage bag

CAMPING PACK

£599



Blackout blinds, Seat storage bag, Tailgate tent

All accessories purchased prior to vehicle registration come with a 3 year manufacturers warranty
Accessories are fitted post production and may have an impact on WLTP fuel (actual) consumption and CO₂ figures

[DOWNLOAD ACCESSORIES BROCHURE](#)

ENGINES

HYBRID 140

TCe 110

ENGINES

Energy	Petrol	Electric	Petrol
Max. power kW EEC (hp) at engine speed of (rpm)		105 kW (140) at 5,600 rpm	81 kW/5,000-5,250 rpm
Maximum torque Nm EEC (m.kg) at an engine speed of (rpm)		148 Nm at 3,400 rpm + 205 Nm electric	200 Nm/2,900-3,500 rpm
Gearbox type	Automatic multimode		Manual
Injection type	Indirect atmospheric injection	-	turbo direct injection
Capacity (cm ³)	1,598	-	999
Number of cylinders/valves	4/16	-	3/12
Emission control standard	Euro6 D-final		

BATTERIES

Traction battery	Lithium-ion / 230 V / 1.2 kWh
------------------	-------------------------------

CHASSIS AND STEERING

Tyre size	205/60 R16 92H
Steering - Turning circle between kerbs	11.7
Front suspension	Pseudo McPherson with lower wishbone, spiral spring suspension with telescopic hydraulic shock absorbers and anti-roll bar
Rear suspension	Semi-rigid axle with anti-roll bar spring suspension and telescopic hydraulic shock absorbers

PERFORMANCE

Top speed (mph)	104	108
0-62 mph (s)	10.0	11.2
Mid-range acceleration: 50 mph - 75 mph (s) in 4th	8.8	8.9

FUEL CONSUMPTION AND EMISSIONS⁽¹⁾

Certification protocol	WLTP ⁽²⁾	
Fuel tank capacity (l)	50	50
CO ₂ emissions (g/km) Best case - Worst case	108/109	132
Consumption over combined cycle (l/100 mpg) Best case - Worst case	57.6/58.9	47.9/48.7

DIMENSIONS AND WEIGHTS

Minimum curb weight in running order	1,385	1,205
Maximum kerb weight in running order	1,406	1,261
Gross train weight (GTW)	2,745	3,062
Gross vehicle weight (GVW)	1,862	1,862
Max. braked towing weight	750	1,200

(1) Official consumption and emissions according to applicable regulations. (2) WLTP (Worldwide Harmonized Light Vehicle Test Procedures): this new protocol provides results much closer to those found in daily use compared to the NEDC protocol. CO₂ emissions are certified using a standard, regulated method. This method is identical for all manufacturers and enables vehicles to be compared.

[BUILD YOURS](#)

[MENU](#)

EQUIPMENT & OPTIONS

	ESSENTIAL	EXPRESSION	EXTREME
EXTERNAL APPEARANCE			
Brand light and automatic LED daytime running lights	•	•	•
Black grille with white Dacia logo	•	•	•
Dacia rear lettering	White	White	Copper
Front/rear bumpers	Body-coloured	Body-coloured	Body-coloured
Front and rear skid plates	Black	Megalith Grey	Megalith Grey
Side protection stickers / snorkel-type sticker	-/-	Black/-	Topographic pattern / •
Exterior door handles	Black	Body-coloured	Body-coloured
Door mirrors	Black	Body coloured	Copper
Longitudinal roof bars	•	-	-
Modular longitudinal roof bars	-	•	•
16" Miliana hubcaps	•	-	-
16" Atara Dark Flexwheels	-	•	-
16" Mahalia alloy wheels	-	-	•
Shark fin antenna	-	-	•
White decals on front doors	-	•	-
INTERIOR APPEARANCE			
Centre of air vents	Black	White	Copper
Air vent surrounds	Fog Grey	Fog Grey	Fog Grey
Door opening handle	Black	Steel Grey	Steel Grey
Upholstery on the dashboard and front door armrests/trim on the front door panels	-/-	Fabric / Fabric	MicroCloud fabric
1/3 - 2/3 split-fold rear bench seatback	•	•	•
2 independently folding and removable 3 rd row seats	•	•	•
Soft-feel steering wheel and Steel Grey decoration	-	•	•
Rubber floor mats with topographic pattern (including luggage area protection)	-	-	•
Luggage space cover	-	•	•
ACTIVE AND PASSIVE SAFETY			
"My Safety" button to manage driver assistance systems	•	•	•
Anti-locking braking system (ABS) + Emergency Brake Assist (EBA)	•	•	•
Automatic emergency braking with pedestrian/cyclist detection	•	•	•
Electronic Stability Control) with Hill Start Assist (HSA)	•	•	•
Emergency call (E-call)	•	•	•
Event (accident) data logger	•	•	•
Alcohol Immobiliser predisposition	•	•	•
Traffic sign recognition with speed alert/ Intelligent Speed Assist (ISA)	•	•	•
Lane Departure Warning (LDW) + Lane Keep Assist (LKA)	•	•	•
Driver attention alert	•	•	•
Front / rear "Rescue Code®" QR Code	•	•	•
Driver's front airbag / passenger's side airbag, can be deactivated	•/•	•/•	•/•
Front thorax-level side and curtain airbags	•	•	•
Front and rear side seat belts with pretensioner and load limiter	•	•	•
Rear parking sensors	•	•	•
Rear view camera	-	•	•
Front parking sensors	-	•	•
Blind spot warning	-	•	•
Electric parking brake with armrest with storage, 1 12V socket and 1 USB-C socket in the rear	-	•	•
DRIVING AND CONTROL INSTRUMENTS			
Tyre pressure monitor	•	•	•
Tyre inflation kit / spare wheel + jack (Excluding HEV)	•/o	•/o	•/o
Row 2 Isofix points for child seats in both side rear seats	•	•	•
Electric power steering	•	•	•
Stop & Start, ECO Mode	•	•	•
E-Save (Hybrid versions only)	-	•	•
On-board computer: distance travelled, average speed, range, average fuel consumption (including LPG)	•	•	•
Keyless Entry	-	•	•
Rain and light sensors	•	•	•
180 kmh / 112 mph speed limiter and cruise control	•	•	•
Extended Grip	-	-	•
VISIBILITY			
Front fog lights	-	•	•
Electrically adjustable door mirrors	-	•	•
COMFORT			
Manual heating and air conditioning system	•	-	-
Automatic heating and air conditioning system	-	•	•
Automatic windscreen wipers	-	•	•
Central locking of doors and automatic locking when driving	•	•	•
Driver and passenger electric front windows	•	•	•
One-touch-up driver window lift (with anti-pinch function), front passenger window winder (not-one-touch)	-	•	•
Electric rear windows	-	•	•
Height and depth- adjustable steering wheel	•	•	•
1 front 12 V socket	•	•	•
Heated front seats	-	-	•
Aeroplane style sliding tables for passengers in row 2.	-	-	•
Tilting rear quarter glass	-	-	•
MULTIMEDIA & AUDIO			
New Media Control: DAB radio with steering wheel controls, jack socket and 1 USB-C socket, 2 speakers, Bluetooth® telephone system with satellite controls on the steering wheel, fixed smartphone holder on the dashboard, new Dacia Media Control smartphone app	•	-	-
Media Display: multimedia system with 8" touchscreen, DAB digital radio, smartphone mirroring via USB cable, Bluetooth® connection, satellite controls on steering wheel, 4 speakers, 1 USB-C socket and 1 USB-A socket	-	•	-
Media Nav: multimedia system with 8" touchscreen, navigation with Map Care (map of Western Europe or Eastern Europe [depending on country] + 6 free updates for 3 years), DAB digital radio, smartphone mirroring via USB cable or wireless via Wi-Fi, Bluetooth® connection, steering wheel satellite controls, 6 speakers (4 speakers + 2 tweeters), 1 USB-C socket and 1 USB-A socket	-	-	•
Removable telephone holder	-	-	•

- : not available; • : available as standard; o : available as an option.

BUILD YOURS

MENU

PRICING

	CO ₂ G/KM WLTP	FUEL TYPE	COMBINED FUEL CONSUMPTION (MPG) - WLTP	BHP	BENEFIT IN KIND	VED YEAR 1	BASIC PRICE	VAT 20%	TOTAL RETAIL PRICE	ON THE ROAD PRICE*
ESSENTIAL										
TCe110 MY24	132	Petrol	47.9 (5.9)	110	31%	£270	£14,479.17	£2,895.83	£17,375	£18,295
EXPRESSION										
TCe110 MY24	132	Petrol	48.7 (5.8)	110	31%	£270	£15,562.50	£3,112.50	£18,675	£19,595
HEV 140 MY24	108	Petrol / Electric	58.9 (4.8)	140	26%	£185	£18,466.67	£3,693.33	£22,160	£22,995
EXTREME										
TCe110 MY24	132	Petrol	48.7 (5.8)	110	31%	£270	£16,395.83	£3,279.17	£19,675	£20,595
HEV 140 MY24	109	Petrol / Electric	57.6 (4.9)	140	26%	£185	£19,300.00	£3,860.00	£23,160	£23,995

* "On the Road" price includes delivery to the dealer premises, number plates, 12 months government road fund license (depending on CO₂ emissions) and First Registration Fee at £55.

OPTIONS

	ESSENTIAL	EXPRESSION	EXTREME	BASIC PRICE	VAT 20%	TOTAL RETAIL PRICE
Metallic & opaque paint	○	○	○	£541.67	£108.33	£650
Spare Wheel (excluding HYBRID 140 versions)	○	○	○	£250.00	£50.00	£300

ENJOY THE RIDE WITH DACIA ZEN



DACIA ZEN ENABLES OWNERS TO ENJOY UP TO SEVEN YEARS OF WARRANTY

- Brand new Dacia Zen warranty offers Dacia owners up to seven years of cover
- It's applicable to all Dacia models under six years old which have covered less than 75,000 miles
- Warranty is complimentary with every service completed at an official Dacia retailer
- Dacia Zen is available to owners of qualifying vehicles even if their Dacia has been previously serviced outside of the official Dacia retail network

WHO BETTER TO LOOK AFTER YOUR DACIA, THAN DACIA?

Are you the proud owner of a new or used Dacia? If your vehicle is less than 6 years old and has covered less than 75,000 miles you can get up to 7 years warranty with Dacia*

It's simple. Get your Dacia serviced by one of our expert retailers after your standard 3-year warranty expires and enjoy a Dacia ZEN warranty for a year or 18,000 miles (whichever comes sooner).

Enjoy the ride with Dacia ZEN.



Your Dacia is less than 6-years old and has done less than 75,000 miles



Have your next manufacturer service carried out in our retailer network



Get an additional 1-year of warranty*

*Warranty activated following service at participating Dacia Dealers. Valid for 1 year or 18,000 miles (whichever comes first). Vehicles over 6 years old or 75,000 miles not eligible. Full T&Cs apply.

[BOOK A SERVICE](#)

WE'VE GOT YOU COVERED

You might think our shockingly affordable prices mean our cars aren't made to last. Actually, the Dacia range is one tough cookie. To prove it, you get a 3-year* warranty (or 60,000 miles, if you reach that first). This means we will replace any part which has been deemed by a Dacia approved dealer to be defective due to a manufacturing fault, free of charge. To keep the good times rolling, you can extend your warranty up to 7 years for a great price. We also give you a 2-year paintwork and 6-year anti-corrosion warranty, so you can kick back knowing that your Dacia will stay looking good-as-new for years to come.

ROADSIDE ASSISTANCE

Although our cars are built for plain sailing, you can rely on us if you have a breakdown – 24/7 365, wherever you are in the UK or Northern Ireland. This offer also stands for the first 3 years/60,000 miles^Δ after you buy your new Dacia.

DACIA CAR INSURANCE 1

Dacia Insurance has been specifically created to provide superb protection for you and your car. Unlike most other UK insurers, in the event of an accident, your Dacia will be repaired at a Dacia Approved Bodyshop using only Dacia approved parts and approved repair methods. This maintains your Dacia's safety rating, protects its resale value and helps to maintain its Dacia warranty^Λ. Dacia Insurance also offers a courtesy car for the duration of a repair at a Dacia Approved Bodyshop.

Dacia car insurance: 0330 102 7795 www.daciacarinsurance.co.uk

Lines are open Mon - Thurs 8.30am - 7pm, Fri 9am - 6pm, Sat 9am - 5pm

SERVICING

Dacia Service Plans are the ultimate hassle free way to take care of your vehicle. Depending on the Service plan you purchase (grid below) your servicing needs are covered and you benefit from;

- Inflation Proof Servicing – You know exactly what you'll pay and there are no hidden costs
- Peace of Mind – No matter where life takes you, we'll be there in over 5000 workshops across Europe
- Dacia Expertise & Quality – Our highly trained technicians know your Dacia inside out

The Dacia Service Plan contains Dacia services in-line with the manufacturer's service schedule, plus comes with a complimentary vehicle health check to ensure your Dacia is in the best condition possible.

SERVICE PLAN ^Λ	Monthly payments
3 years / 30,000 miles Service Plan	£13.99 per month
3 years / 45,000 miles Service Plan	£21.99 per month
4 years / 48,000 miles Service Plan + 1 MOT	£19.99 per month
4 years / 60,000 miles Service Plan +1 MOT	£23.99 per month

SERVICE INTERVALS[◇]

Annual servicing **OR** servicing at 18,000 miles (whichever comes first)

Service Schedule [◇]	Year 1	Year 2	Year 3
	Change Cabin Filter	Change Oil + Oil Filter	Change Cabin filter + Brake Fluid
	Year 4	Year 5	Year 6
	Change Oil + Oil filter + Air filter (36k miles) + Spark Plugs (36k miles)	Change Cabin filter + Coolant (90k miles)	Change Oil + Oil Filter + Brake Fluid + Accessory Belt (90k miles)

*Dacia warranty ends when you reach the age or mileage limit (whichever comes first), from date of registration. Subject to status, terms and conditions apply. For full Dacia Extended Warranty Terms and Conditions visit www.dacia.co.uk/warranty-and-assistance/warranty

^ΔRoadside assistance for the first 3 year / 60,000 miles, which ever is reached first, from date of registration. For full Terms and Conditions visit www.dacia.co.uk/warranty-and-assistance/assistance

[†]Dacia Extended Warranties are available to purchase from date of registration up to end of manufacturer warranty. For full Dacia Extended Warranty Terms and Conditions visit www.dacia.co.uk/warranty-and-assistance/warranty

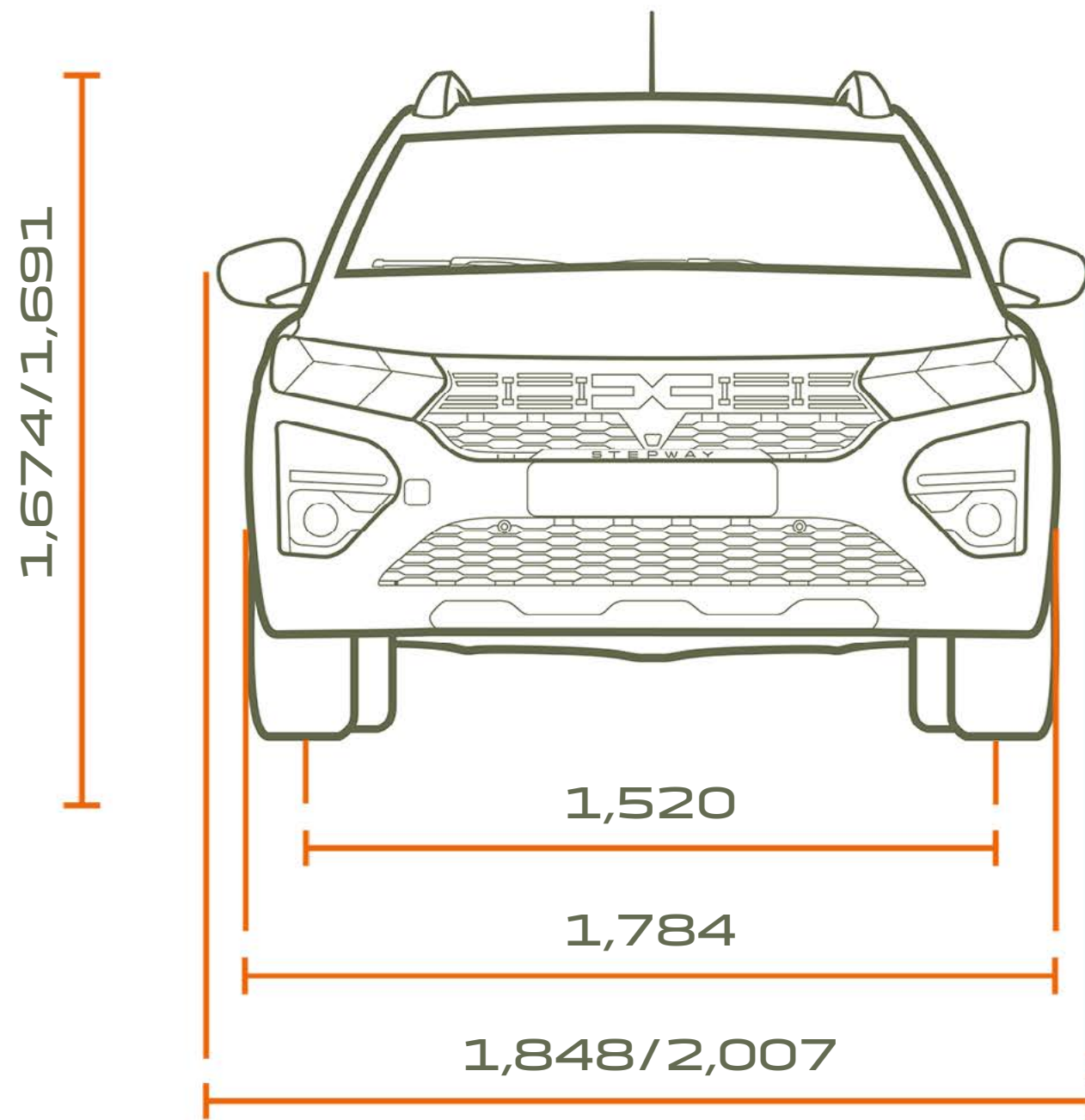
^ΛThe Service plan offer is available for eligible retail vehicles only and valid at participating dealers only. Vehicles must be ordered between 2 July to 30 September and registered by 31 December 2024. The Dacia Service plan covers the manufacturer's minimum maintenance programme requirements for the term of the Service plan purchased (refer to the Warranty and Service sheet in the Handover Document wallet for details). The plan ends when you reach the age or mileage limit (whichever comes first). Services must be carried out in line with the manufacturer's minimum maintenance programme requirements and servicing intervals within +/- 1 month or 1,000 miles of the manufacturer's minimum maintenance programme requirements. Services do not cover wear and tear items such as (but not limited to) tyres, wiper blades or brakes. For Service plan full Terms & Conditions visit www.dacia.co.uk/services-and-finance/service-plan. Cannot be part exchanged, refunded or transferred.

[◇] The service schedule and intervals are specific to the version and derivative of vehicle. Check with your Dacia retailer to confirm the service schedule / intervals as the above is an indicative guideline.

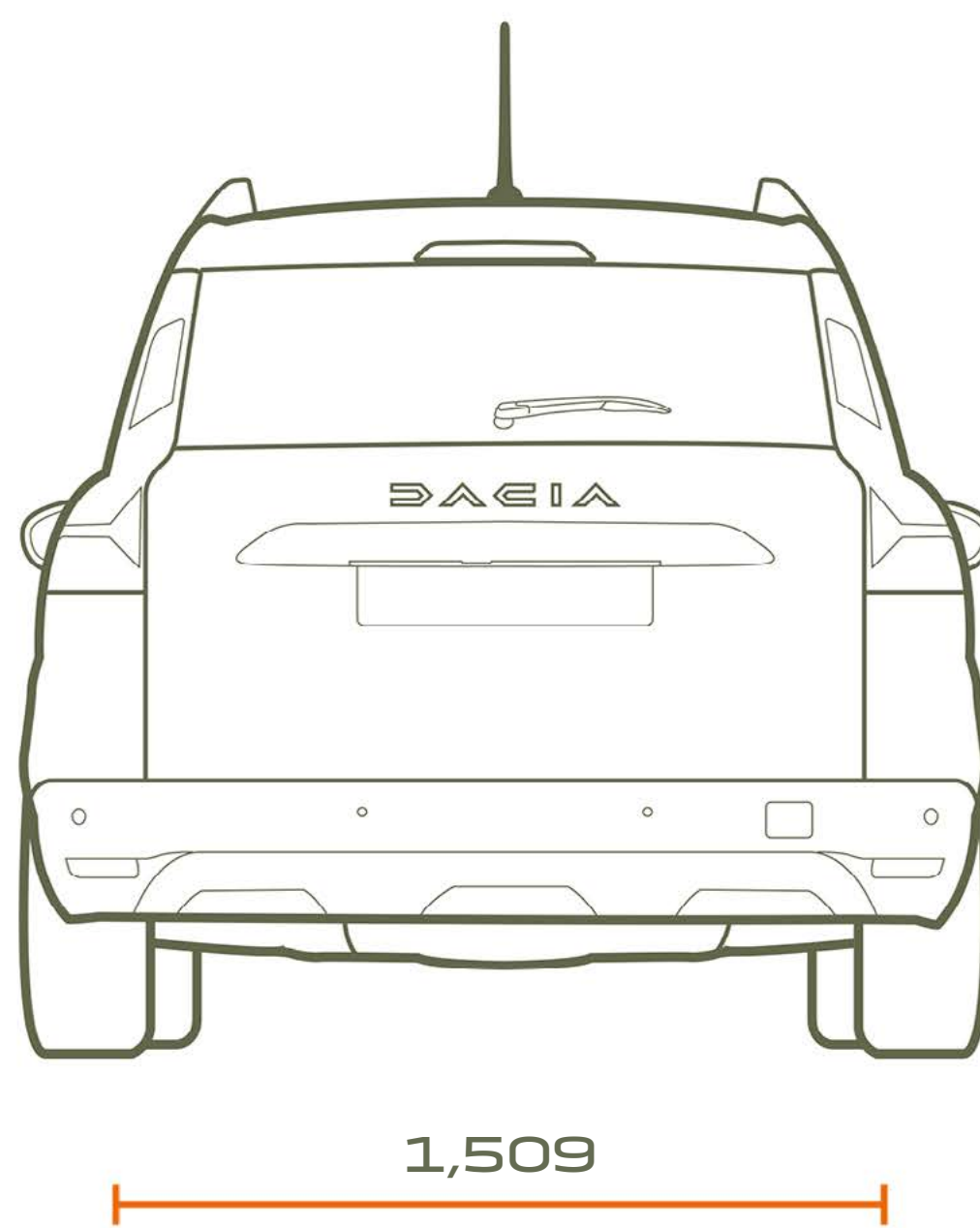
¹ Dacia Insurance is arranged and administered by Verex Insurance Services Ltd, which is registered in England and Wales No. 05686831 at Batchworth House, Church Street, Rickmansworth, Herts, WD3 1JE and authorised and regulated by the Financial Conduct Authority, No. 487185. Verex Insurance Services Ltd arranges policies from a panel of insurers, details are available on request.

^ΛIf your insurer uses non-approved parts and subsequently fail, they may not be covered under your manufacturer's warranty.

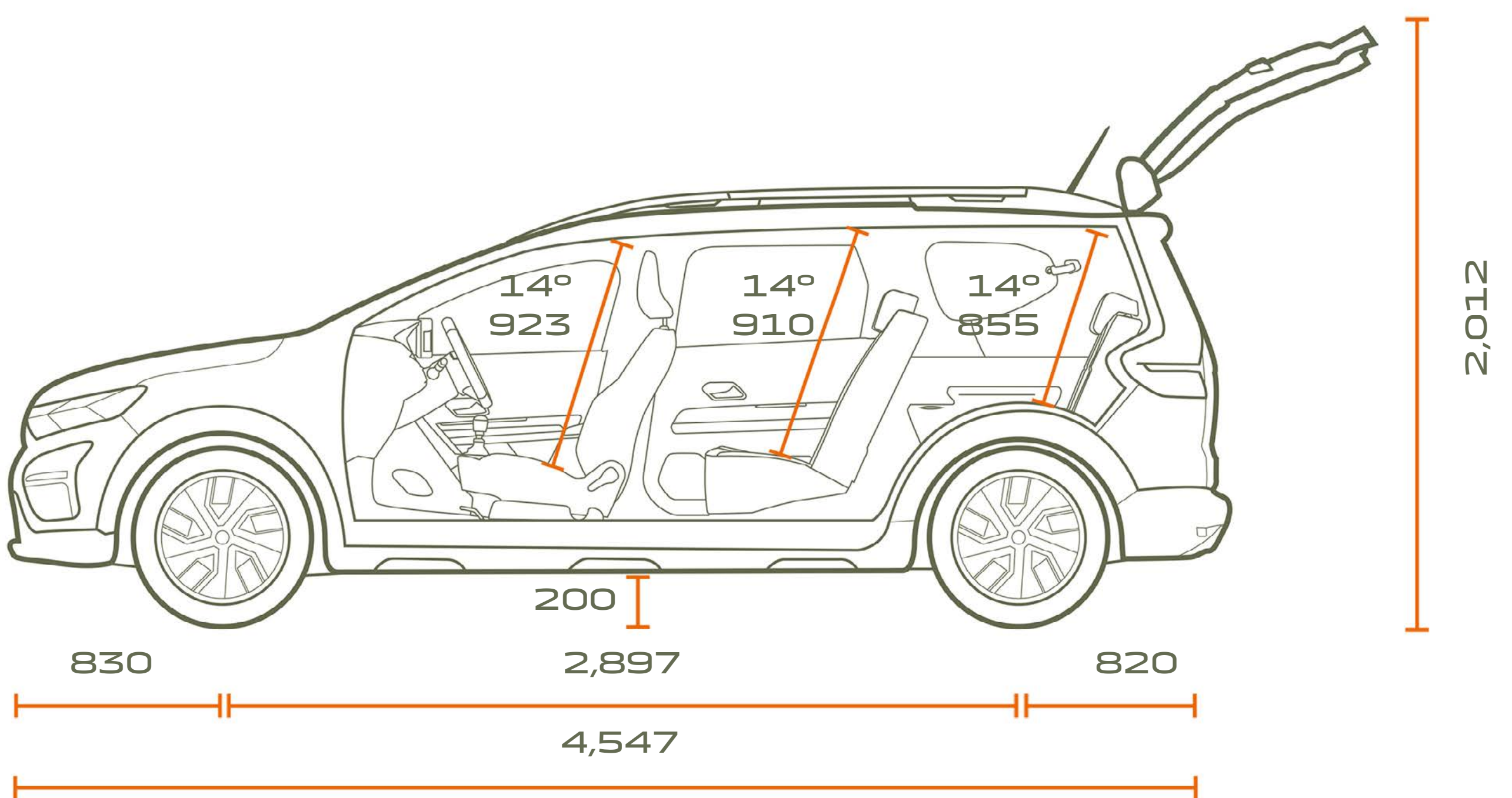
DIMENSIONS



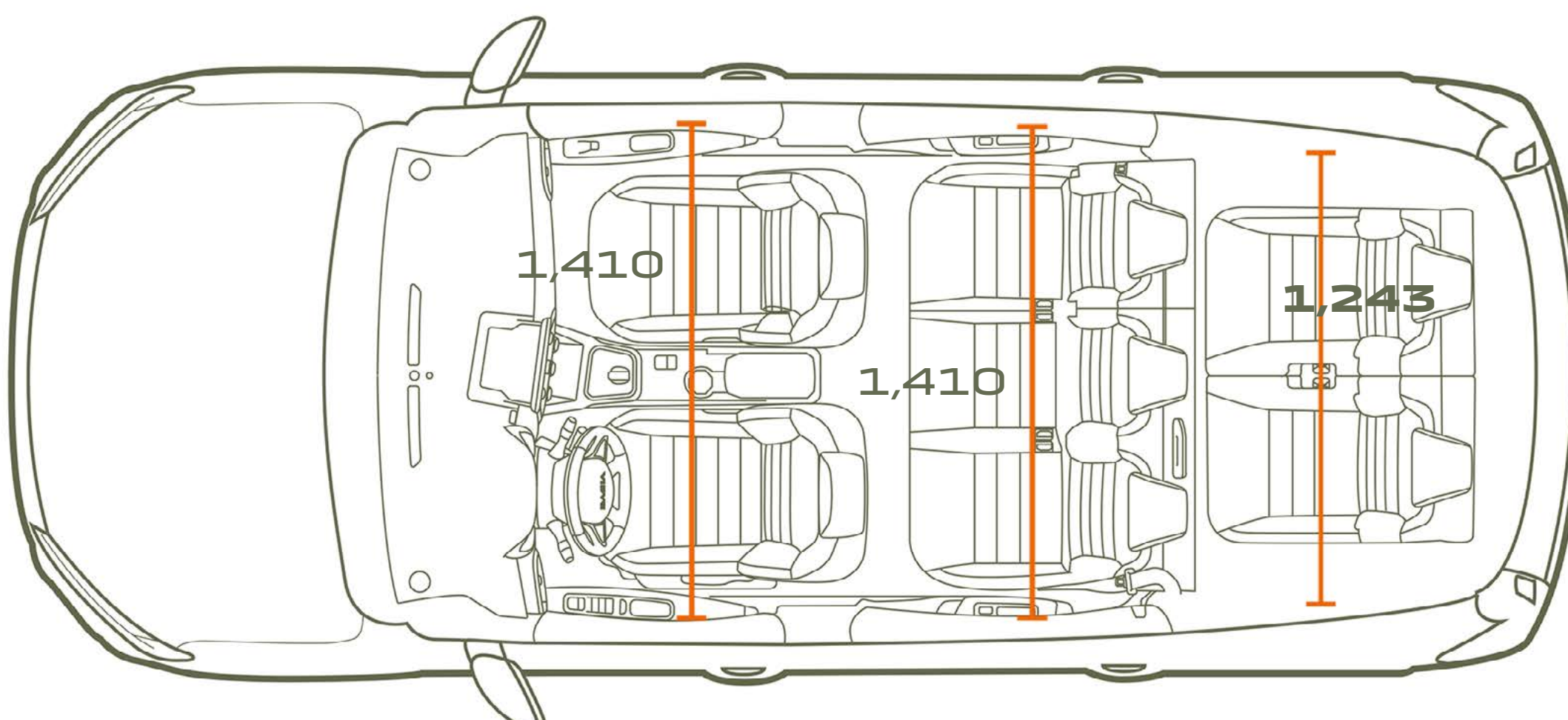
FRONT VIEW 7 SEATERS



REAR VIEW 7 SEATERS



SIDE VIEW 7 SEATS



TOP VIEW 7-SEATER

BOOT VOLUME - (IN DM ³ - VDA STANDARD / LITRES)	7 SEATS
Minimum boot volume – (ISO 3832 standard)	160
Maximum boot volume – (ISO 3832 standard)	1,807
Row 2 in place and row 3 folded down	565
Row 2 in place and row 3 removed	696/820

AN INCREDIBLE SUCCESS STORY

At Dacia, we offer practical and robust vehicles at the best price. Our models have a distinctive style without unnecessary frills, equipped with the most reliable and approved technologies, all at an unbeatable price. In just fifteen years, we have changed the game and disrupted the automotive market.



TO GO FURTHER

[CLICK AND CONFIGURE](#)

[BOOK A TEST DRIVE](#)

[FIND YOUR DEALERSHIP](#)

Go to the DACIA social media accounts:



The contents of this brochure were accurate and up-to-date at the time of publication. This document was produced based on pre-series or prototype vehicles. As part of its policy of continuous product improvement, Dacia reserves the right, at any time, to make changes to the specifications and vehicles and accessories described and illustrated. These modifications are notified to Dacia dealers as soon as possible. Depending on the country of sale, versions may differ, and some equipment may not be available (as standard, optional, or accessory). Please consult your Dacia representative for the most up-to-date information. Due to the limitations of printing, the colors shown in this document may slightly differ from the actual paint colors or interior trim materials. All rights reserved. Reproduction, in whole or in part, of this brochure in any form or by any means is prohibited without the prior written authorization of Dacia.

Dacia recommends 

PUBLICIS – PHOTO CREDITS : BAM (Ben & Martin) ; A. Bernier ; Getty images ; Shutterstock ; © RENAULT MARKETING 3D-COMMERCE – JULY 2024